



BERMAD Meters

Merging monitoring & control



Sensor MUT1222

Euromag Electromagnetic Flowmeter



Sensor MUT1222

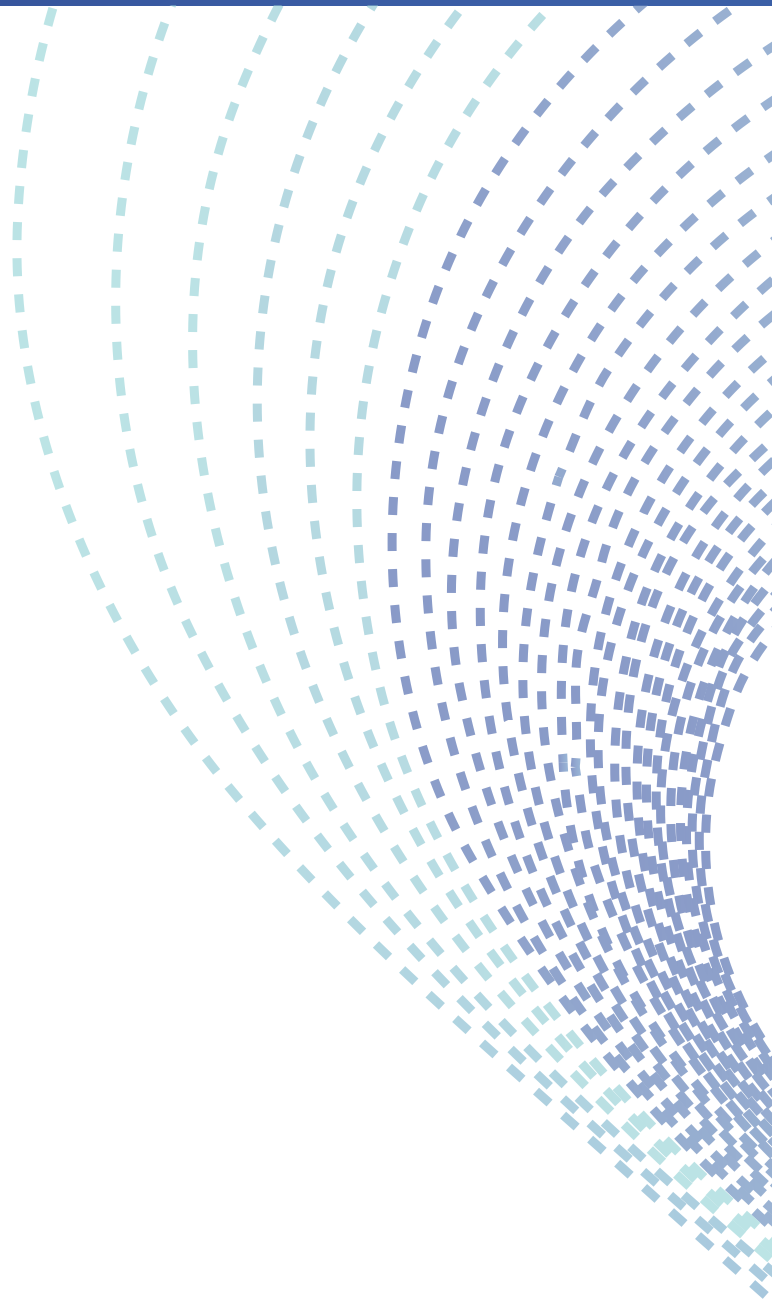
A COST EFFECTIVE ALTERNATIVE TO FULL-BORE METERS

EUROMAG INTERNATIONAL presents the new MUT1222 electromagnetic insertion flowmeter in three different sizes (small, medium and large) suitable to use in pipe size from DN 50 to 2600.

Delivering highly accurate bi-directional measurement for water distribution and raw water pipelines, it is robust and it has no moving parts, this allows to be reliable and suitable to measure a wide range of flows.

The MUT1222 can be used as a portable or a dedicated / permanent instrument; with its "hop tapping" application it is very easy and quick to install with no need to stop the flow under full working pressure conditions.

It is an alternative solution to full bore metering and with its compact size allows installation on small pipes, providing water monitoring in applications considered impossible.





— The electromagnetic insertion flowmeter —



DS340-1-ENG



Applications:

- Water network management
- Leakage control
- District metering
- Flow surveys
- Flow profiling
- Checking on-site flowmeters
- Data capture reporting and analysis

Installation:

- Compact with converter MC608A/B/R
- Compact Vertical with MC406
- Separate (remote) with MC608A/B/R and MC406 with cables supply from factory (up to 30mt for battery powered, 100mt for mains powered version)



Equipment:

- 1" ball valve zinc plated brass
- "Hot tap" installation
- Head of the unit in POM 22mm
- Valve connection (female-female)
- Probe 12mm
- Pressure up to 20 bar
- Input connection for pressure gauge
- Handle grips with flow directions
- Body in AISI304
- 2 Electrodes in AISI316L
- ATEX on request (only separate version)





Reference standards

The Euromag magnetic meters are marked CE and are manufactured according to the following standards:

- 2014/35/EU - EN 61010-1:2013 (LVD)
- 2014/30/EU - EN 61326-1:2013 (EMC)
- 2014/34/UE - IEC 60079 - 0, IEC 60079 - 18 (ATEX - IECEx) Separate version

Temperature of liquid:

- 80° compact and separate version



Advantages:

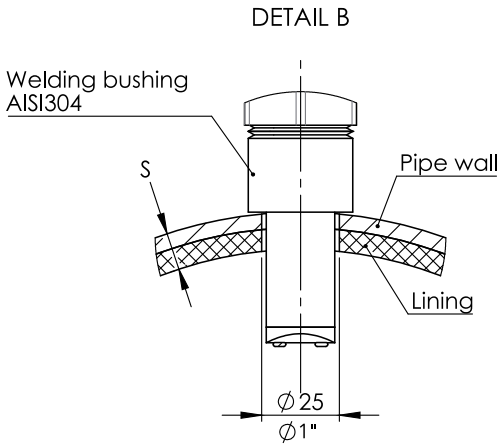
- No moving parts
- No pressure loss
- Long lasting stability and precision
- No filter needed, zero maintenance
- Extremely sturdy structure
- Internal parts protected by a bi-component resin in order to increase protection from external agents
- Bi-directional measure



Technical features:

Size range	Size Small (S)	Size Medium (M)	Size Large (L)
	50...600	200...1500	450...2600
Available electrodes [*]	AISI 316L		
Body material	AISI 304 Stainless Steel		
Head of sensor	POM		
Standard operating pressure	20 bar		
Temperature of liquid	-40 °C +80 °C		
Protection Degree	IP68 for immersion at 1.5m (IEC 529)		
Converter compatibility	MC608, MC406		
Parts in contact with liquid	Head of sensor	Electrodes	Pipe end
	POM	AISI 316L	AISI 304
Electric connections	Cable gland M20 x 1.5 + Terminal block + sealing resin		





- D: Internal diameter
- S: Pipe wall thickness (lining included)
- B: Dead length
- H: Housing dimension
- Ltot: Instrument length
- ES: Standard dimension (Euromag original parts)
- I: Insertion depth = $D/8$
- M1: Insertion control dimension

$$M1 = L_{tot} - S - (D/8)$$

Size S:

$$M1 = 403 - S - (D/8)$$

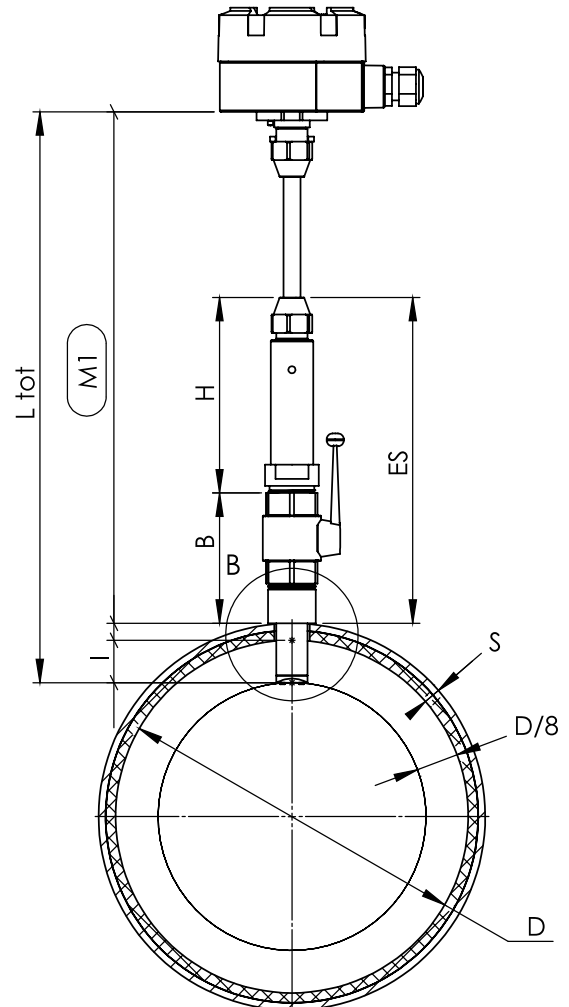
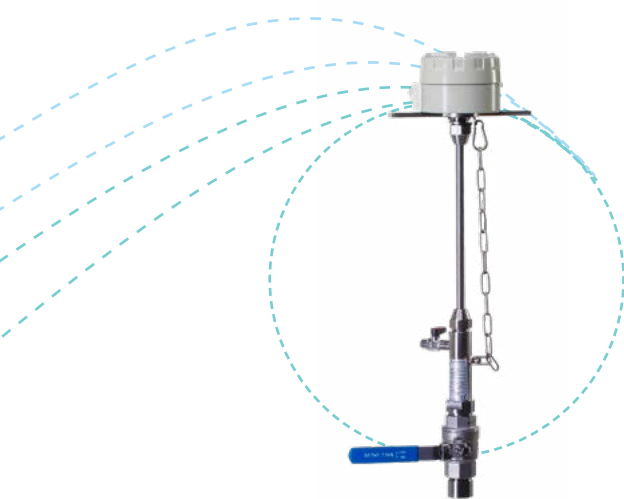
Size M:

$$M1 = 674 - S - (D/8)$$

Size L:

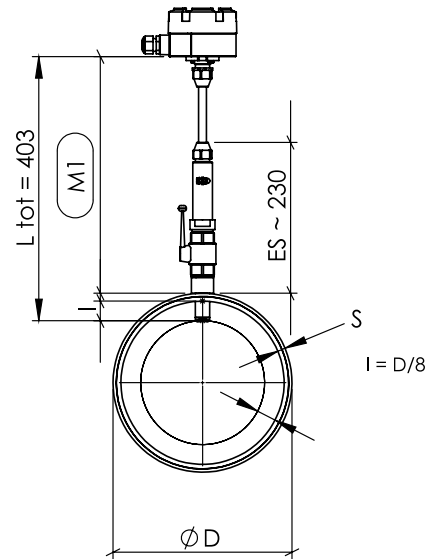
$$M1 = 916 - S - (D/8)$$

Size	Min Pipe Diameter		Max Pipe Diameter	
	DN	Inches	DN	Inches
S	50	2"	600	24"
M	200	8"	1600	64"
L	450	18"	2600	104"



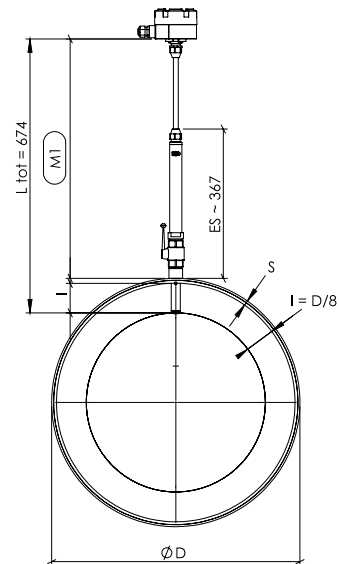
Size S:

$$M1 = 403 - S - (D/8)$$



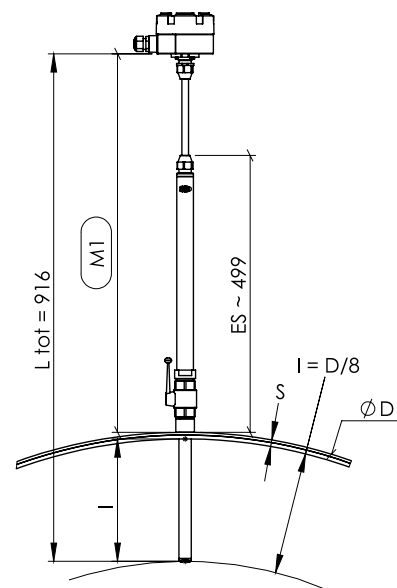
Size M:

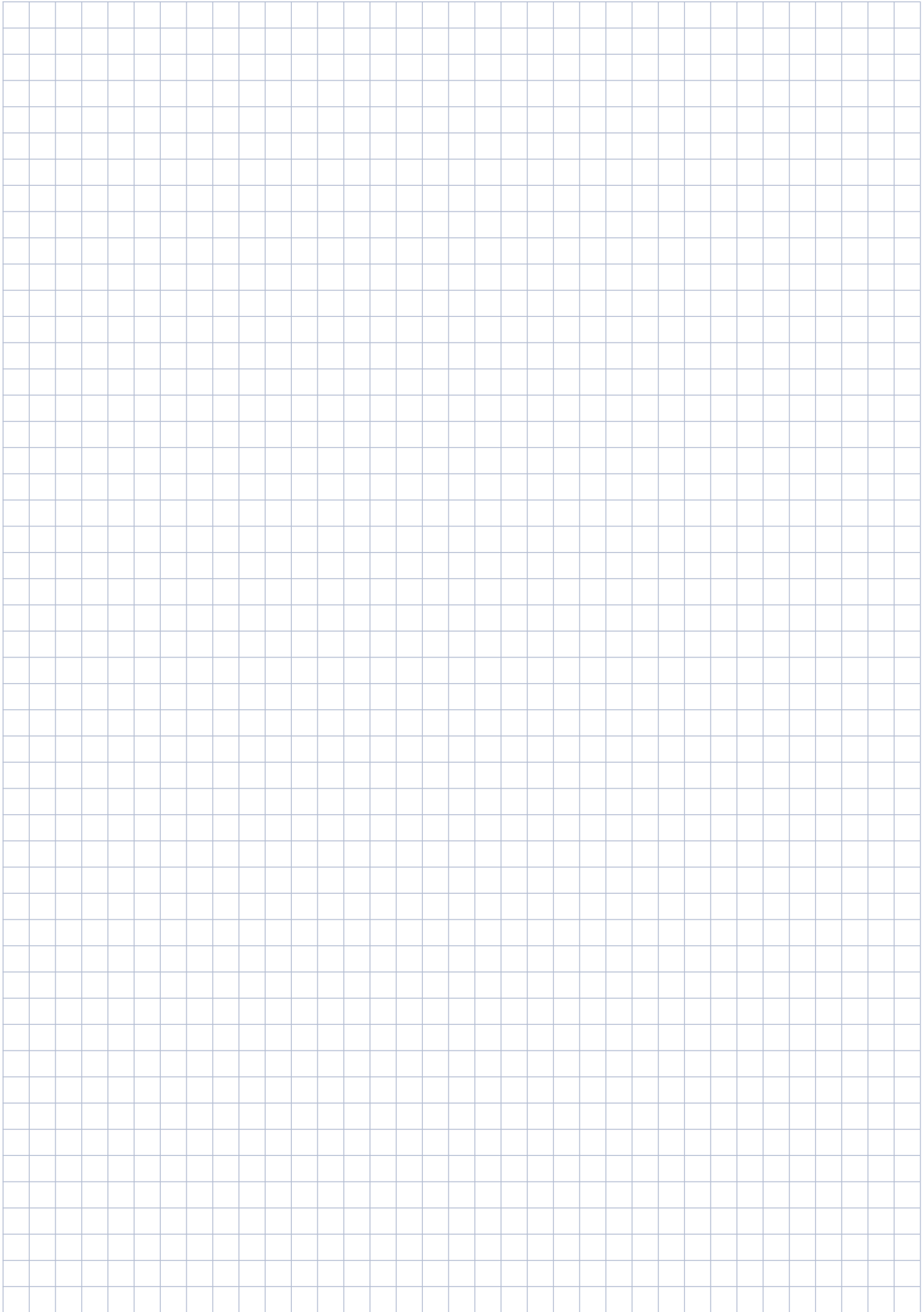
$$M1 = 674 - S - (D/8)$$

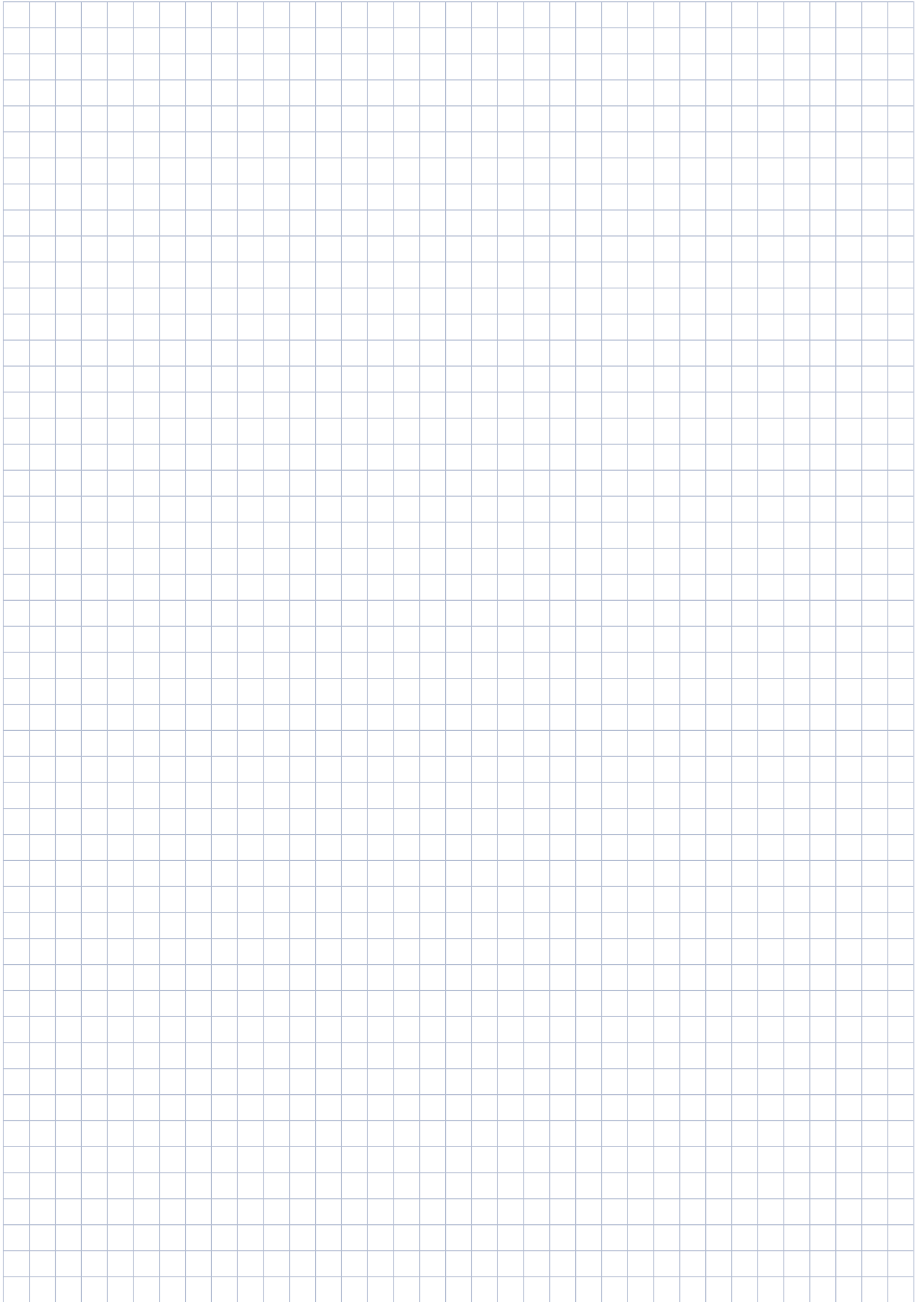


Size L:

$$M1 = 916 - S - (D/8)$$







About BERMAD

BERMAD is a leading, privately-owned global company that designs, develops and manufactures tailor-made water & flow management solutions that include state-of-the-art hydraulic control valves, air valves and advanced metering solutions.

Founded in 1965, we have spent over 50 years interacting with the world's major end users,

and accumulating knowledge and experience in multiple markets and industries. Today, we are recognized as a pioneer and established world-leading provider of water & flow management solutions that give our customers the unprecedented operational efficiency, and superior quality, durability and performance they need to meet the demanding challenges of the 21st century.

ozbranding.co.il



www.bermad.com

The information contained herein may be changed by BERMAD without notice. BERMAD shall not be held liable for any errors.
© Copyright 2009-2019 BERMAD CS Ltd. PCUAE19-MUT1222